

**PLEASE CHECK WWW.MOLEX.COM FOR LATEST PART INFORMATION**

**Part Number:** [0352720610](#)  
**Status:** **Active**  
**Description:** 6.00mm (.236") Tab Wire-to-Wire Plug Housing, Secondary Lock, 6 Circuits

**Documents:**

[Drawing \(PDF\)](#) [RoHS Certificate of Compliance \(PDF\)](#)  
[Product Specification PS-35270-001 \(PDF\)](#)

**General**

Product Family	Crimp Housings
Series	<a href="#">35272</a>
Comments	Polarized to Mating Part
Product Name	N/A

**Physical**

Circuits (maximum)	6
Color - Resin	Natural
Gender	Male
Glow-Wire Compliant	No
Keying to Mating Part	None
Lock to Mating Part	Yes
Material - Resin	Polyester
Number of Rows	2
Packaging Type	Bag
Panel Mount	Yes
Pitch - Mating Interface (in)	0.236 In
Pitch - Mating Interface (mm)	6.00 mm
Pitch - Term. Interface (in)	0.354 In
Pitch - Term. Interface (mm)	9.00 mm
Polarized to Mating Part	Yes
Stackable	No
Temperature Range - Operating	-40°C to +80°C

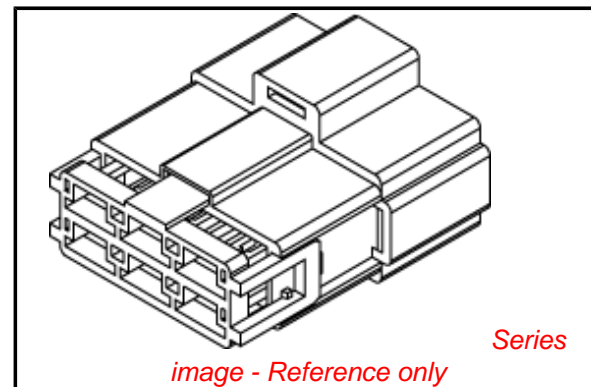
**Electrical**

Current - Maximum per Contact	6A
-------------------------------	----

**Material Info**

**Reference - Drawing Numbers**

Product Specification	PS-35270-001
Sales Drawing	SD-35272-0610



**EU RoHS**

**ELV and RoHS  
Compliant**  
**REACH SVHC**  
 Not Reviewed  
**Halogen-Free  
Status**

**China RoHS**



**Need more information on product  
environmental compliance?**

Email [productcompliance@molex.com](mailto:productcompliance@molex.com)  
 For a multiple part number RoHS Certificate of  
 Compliance, [click here](#)

Please visit the [Contact Us](#) section for any  
 non-product compliance questions.

**Search Parts in this Series**

[35272Series](#)

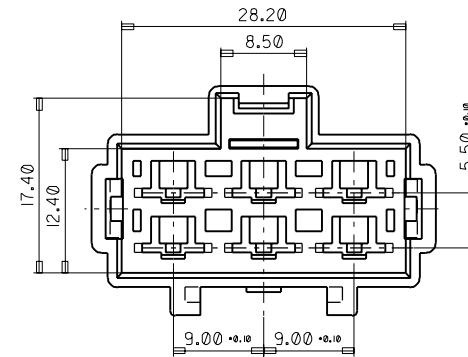
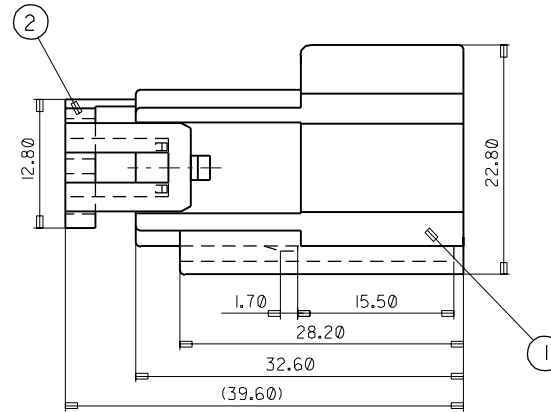
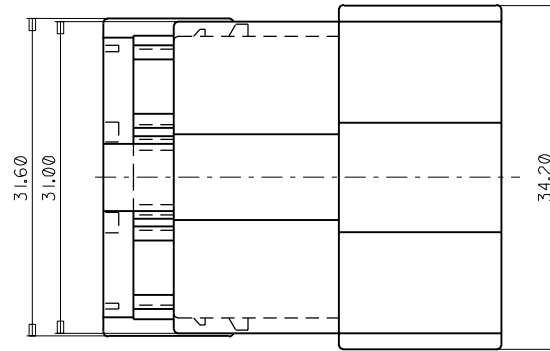
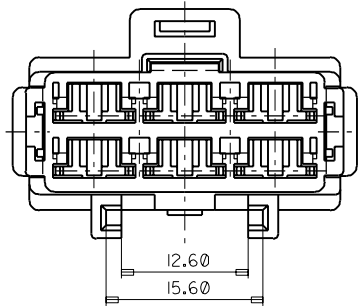
**Mates With**

[35270](#) Wire-to-Wire Receptacle Housing

**Use With**

[35725](#) Slip-In Wire-to-Wire Terminal

PROJECT NO. SIMILAR ITEM EDP NO. ENG. NO. SD 35272-0610



	P/N.O.	PART NAME	MATERIAL
①	35272-0690	POWERMATE MALE HSG 6P	PBT
②	35273-0680	POWERMATE MALE TPA 6P	PBT

\* APPLICABLE TERMINAL : 35725-30\*\*,18\*\*,19\*\*

			MATERIAL SEE TABLE		molex MOLEX-KOREA CO.,LTD.	
			GENERAL TOLERANCE DIMENSION : *0.20		DRAWN BY 961119 J.K.OH	
			ANGLE :		CHK'D BY	
			DIMENSION CLASSIFICATION		APP'D BY	
			▽ : CRITICAL ▼ : MAJOR		SCALE 2 : 1	
			() : REFERENCE		TITLE :	
A NEW RELEASE			KOR1997-0153	971120	POWERMATE MALE ASSY 6P	
LTR REVISION RECORD			ECN	DATE	SHEET 1/1	
REVISE ONLY ON CAD SYSTEM					ENG. NO. SD 35272-0610	
					REV A	